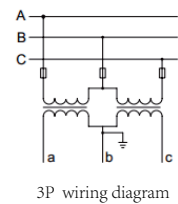
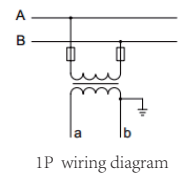
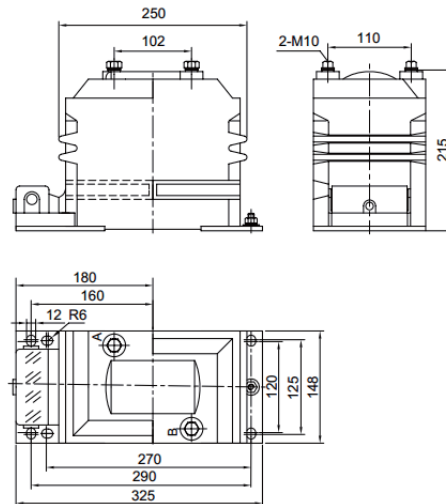
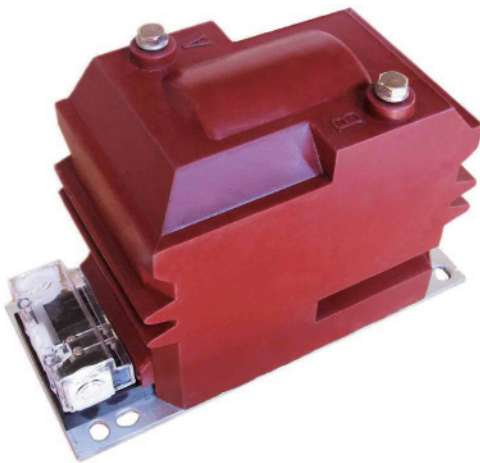


GFJDZ1053-10A

12KV Indoor Epoxy-resin Potential Transformer

This model GFJDZ1053-10A voltage transformer is vacuum casted with epoxy resin, resistant to pollution and moisture, also suitable for tropical areas. This product has the characteristics of high precision and large capacity, and can be customized according to customer requirements. It is used by Air insulation cabinet, as protection potential transformer and measurement potential transformer in less than 12KV power system.



Parameters

| Technical parameters | |
|------------------------|---|
| Standards | IEC60044-2; IEC 61869-1,3; ANSI/IEEE C57.13 |
| Rated Voltage | 10KV, 6KV, 3KV |
| Rated load | ≤150VA |
| Rated frequency | 50Hz or 60Hz |
| Cos ϕ | 0.8 (lag) |
| Phase number | Single |
| Rated insulation level | 12/42/75KV, 7.2/32/60KV, 3.6/25/40KV |
| Class of pollution | II |
| Mechanical parameters | |
| Material | Epoxy resin |
| Weight (kg) | 18.5 |

| Operating conditions | |
|-----------------------|---|
| Operating temperature | -25°C to +55°C |
| Daily average temp | <+40°C |
| Storage temperature | -40°C to +70°C |
| Altitude | <1000 meters |
| Condition | No existence of severely begrimed, erosive and radioactive gas in the air. Permission of long-term operation under rated current. |

Selection guide

| Model | Rated Voltage Ratio(KV) | Accuracy class and Rated output (VA) | | | | | | Limiting Thermal Output(VA) |
|---------------|-------------------------|--------------------------------------|-----|----|-----|----|----|-----------------------------|
| | | 0.2 | 0.5 | 1 | 3 | 3P | 6P | |
| GFJDZ1053-10A | 10/0.1 | 15 | 30 | 60 | 150 | 50 | 50 | 200 |
| GFJDZ1053-6A | 6/0.1 | | | | | | | |
| GFJDZ1053-3A | 3/0.1 | | | | | | | |