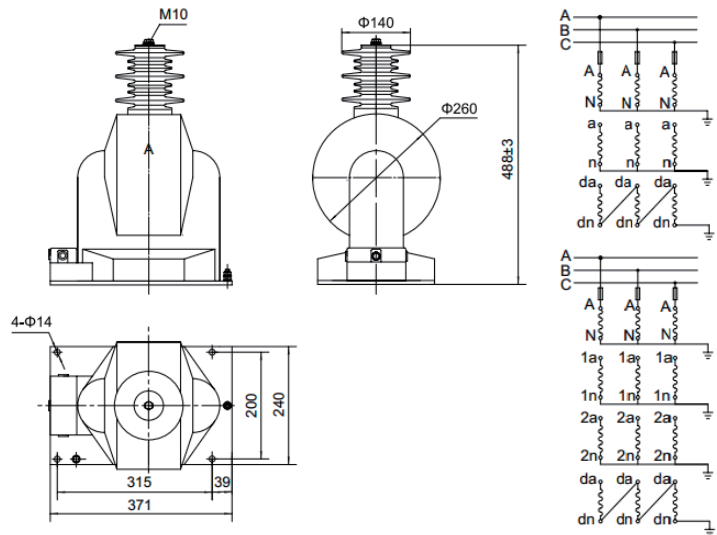


GFJDZX0946-35

Voltage Transformer



Parameters

Technical parameters

Standards	IEC60044; IEC 61869; ANSI/IEEE C57.13
Rated Voltage	35KV
Rated load	≤100VA
Rated frequency	50Hz or 60Hz
Cosφ	0.8 (lag)
Phase number	Single
Rated insulation level	40.5/95/200KV
Class of pollution	II

Mechanical parameters

Material	Epoxy resin
Weight (kg)	35

Operating conditions

Operating temperature	-25°C to +55°C
Daily average temp	<+40°C
Storage temperature	-40°C to +70°C
Altitude	<1000 meters
Condition	No existence of severely begrimed, erosive and radioactive gas in the air. Permission of long-term operation under rated current.

Selection guide

Model	Rated Voltage Ratio(KV)	Class Combination	Rated output(VA)	Limiting Thermal Output(VA)
GFJDZX0946-35	35 $\sqrt{3}$ /0.1/ $\sqrt{3}$ /0.1/3	0.2/6P(3P) 0.5/6P(3P)	40/100 80/100	600
	35/ $\sqrt{3}$ /0.1/ $\sqrt{3}$ /0.1/ $\sqrt{3}$ /0.1/3	0.2/0.2/6P(3P) 0.2/0.5/6P(3P) 0.5/0.5/6P(3P)	10/10/100 10/30/100 30/30/100	300