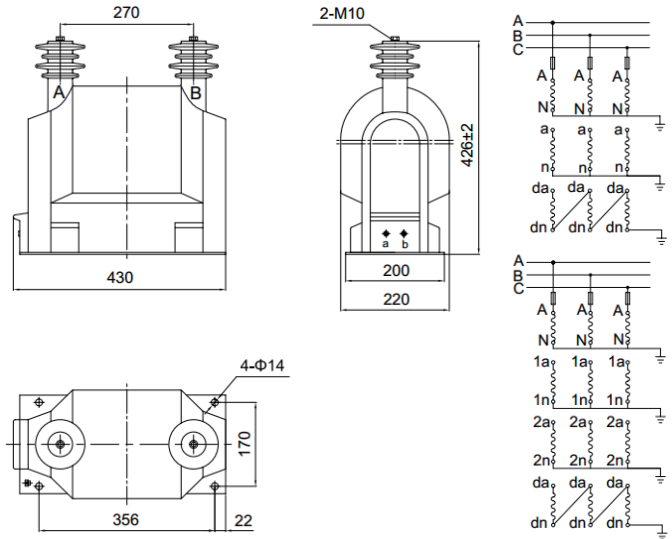


# GFJDZX0978-10BG

## Voltage Transformer



## Parameters

### Technical parameters

Standards	IEC60044; IEC 61869; ANSI/IEEE C57.13
Rated Voltage	10KV, 6KV
Rated load	≤250VA
Rated frequency	50Hz or 60Hz
Cosφ	0.8 (lag)
Phase number	Single
Rated insulation level	12/42/75KV, 7.2/32/60KV
Class of pollution	II

### Mechanical parameters

Material	Epoxy resin
Weight (kg)	30

**Operating conditions**

Operating temperature	-25°C to +55°C
Daily average temp	<+40°C
Storage temperature	-40°C to +70°C
Altitude	<1000 meters
Condition	No existence of severely begrimed, erosive and radioactive gas in the air. Permission of long-term operation under rated current.

**Selection guide**

Model	Rated Voltage Ratio(KV)	Class Combination	Accuracy class and Rated output(VA)				Limiting Thermal Output(VA)
			0.2	0.5	1.0	6P	
GFJDZX0978-10BG	10/ $\sqrt{3}$ /0.1/ $\sqrt{3}$ /0.1/3	0.2/6P	50	120	250	100	1000
GFJDZX0978-6BG	6 $\sqrt{3}$ /0.1/ $\sqrt{3}$ /0.1/3	0.5/6P 1.0/6P					
GFJDZX0978-10BG	10/ $\sqrt{3}$ /0.1/ $\sqrt{3}$ /0.1/ $\sqrt{3}$ /0.1/3	0.2/0.5/6P	30	30		100	2×500
GFJDZX0978-6BG	6/ $\sqrt{3}$ /0.1/ $\sqrt{3}$ /0.1/ $\sqrt{3}$ /0.1/3						