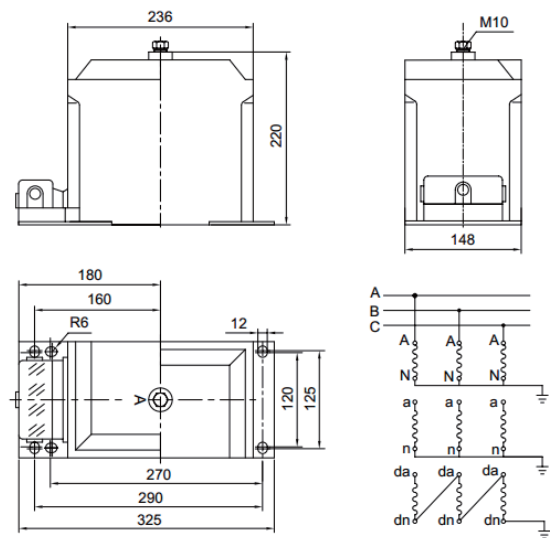


GFJDZX1053-10

Indoor Epoxy Resin 10KV Potential Transformer

This model GFJDZX1053-10 voltage transformer is vacuum casted with epoxy resin, resistant to pollution and moisture, also suitable for tropical areas. This product has the characteristics of high precision and large capacity, and can be customized according to customer requirements. It is used by Air insulation cabinet, as protection potential transformer and measurement potential transformer in less than 12KV power system.



Parameters

Technical parameters	
Standards	IEC60044-2; IEC 61869-1,3; ANSI/IEEE C57.13
Rated Voltage	10KV, 6KV, 3KV
Rated load	≤150VA
Rated frequency	50Hz or 60Hz
Cosφ	0.8 (lag)
Phase number	Single
Rated insulation level	12/42/75KV, 7.2/32/60KV, 3.6/25/40KV
Class of pollution	II
Mechanical parameters	
Material	Epoxy resin
Weight (kg)	18

Operating conditions	
Operating temperature	-25°C to +55°C
Daily average temp	<+40°C
Storage temperature	-40°C to +70°C
Altitude	<1000 meters
Condition	No existence of severely begrimed, erosive and radioactive gas in the air. Permission of long-term operation under rated current.

Selection guide

Model	Rated Voltage Ratio(KV)	Accuracy class and Rated output (VA)						Limiting Thermal Output(VA)
		0.2	0.5	1	3	3P	6P	
GFJDZX1053-10	10/√3/0.1/√3/0.1/√3	15	30	60	150	50	50	200
GFJDZX1053-6	6/√3/0.1/√3/0.1/√3							
GFJDZX1053-3	3/√3/0.1/√3/0.1/√3							