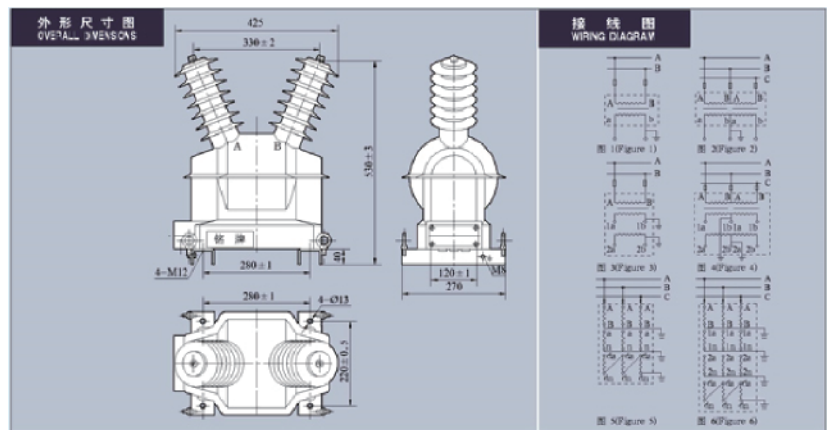
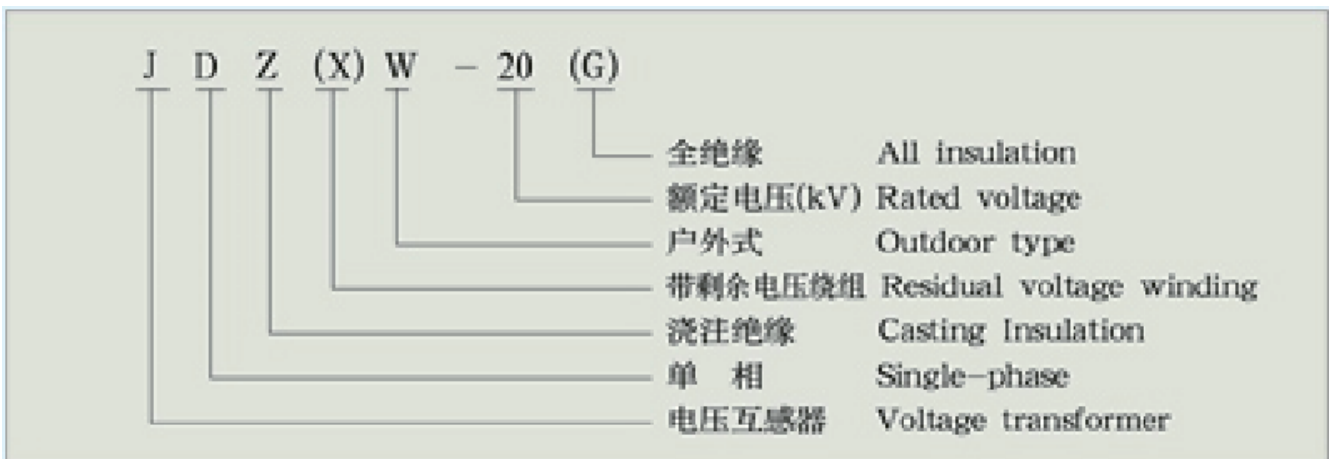


# JDZW-20 JDZXW-20G

Voltage transformer



## Type Designation



## Parameters

Model	Rated voltage ratio(V)	Accuracy class and Accuracy class combination rated secondary output (VA)	Limited output (VA)	Rated insulation level (KV)	Surface creepage distance (mm)	Once fuse (A)	Wt (KG)
JSZW-20	20000/100	0.2---40 0.5---100	800	24/65/125	860	0.2	56
	20000/220	1---250 3---500					
	20000/100/100	0.2/0.2---20/20 0.2/0.5---20/30	400/400				
	20000/220/220	0.5/0.5---50/50	500/800				
JDZXW-20G	$\frac{20000}{\sqrt{3}} \frac{100}{\sqrt{3}} \frac{100}{\sqrt{3}}$	0.2/6P(3P)---30/100 0.5/6P(3P)---60/100 1/6P(3P)---150/100 3/6P(3P)---250/100	600	24/65/125	860	0.2	56
	$\frac{20000}{\sqrt{3}} \frac{100}{\sqrt{3}} \frac{100}{\sqrt{3}} \frac{100}{\sqrt{3}}$	0.2/0.2/6P(3P)---15/15/100 0.2/0.5/6P(3P)---15/15/100 0.5/0.5/6P(3P)---40/40/100	300/300				