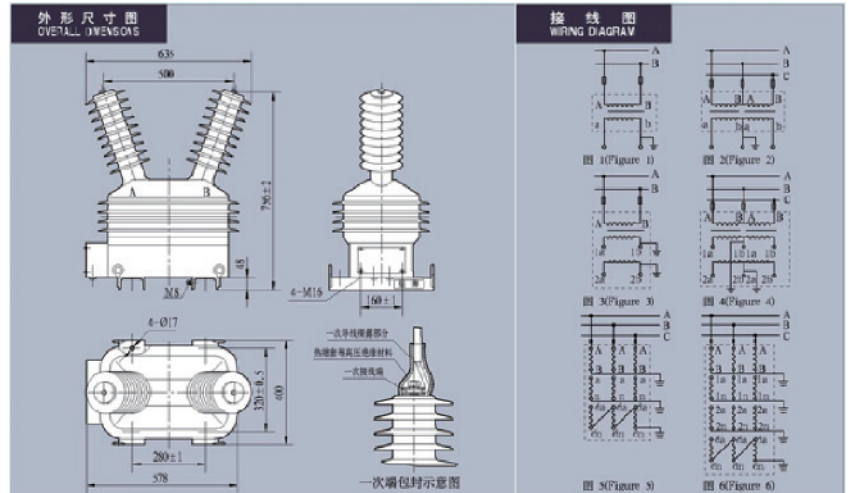
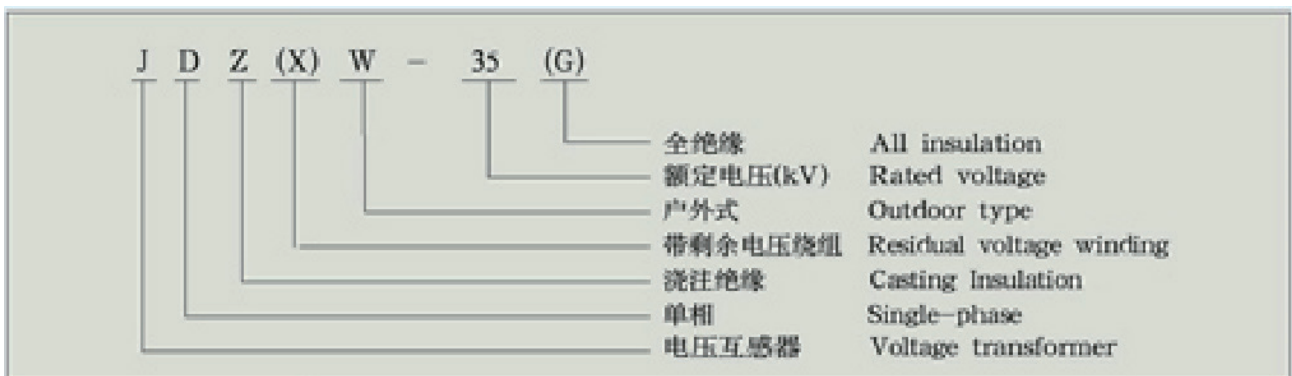


JDZW-35 JDZXW-35G

Voltage transformer



Type Designation



Parameters

| Model | Rated voltage ratio(V) | Accuracy class and Accuracy class combination rated secondary output (VA) | Limited output (VA) | Rated insulation level (KV) | Surface creepage distance (mm) | Once fuse (A) | Wt (KG) |
|-----------|---|--|---------------------|-----------------------------|--------------------------------|---------------|---------|
| JDZW-35 | 35000/100 | 0.2---60 0.5---150 1---300 3---600 | 1200 | 40.5/95/20 0 | 1480 | 0.2 | 120 |
| | 35000/100/100 | 0.2/0.2---30/30 0.2/0.5---30/10 0.5/0.5---60/60 | 600/600 | | | | |
| JDZXW-35G | $\frac{35000}{\sqrt{3}} \frac{100}{\sqrt{3}} \frac{100}{\sqrt{3}}$ | 0.2/6P(3P)---10/100 0.5/6P(3P)---90/100 1/6P(3P)---200/100 3/6P(3P)---500/100 | 600 | | | | |
| | $\frac{35000}{\sqrt{3}} \frac{100}{\sqrt{3}} \frac{100}{\sqrt{3}} \frac{100}{\sqrt{3}}$ | 0.2/0.2/6P(3P)---15/15/100 0.2/0.5/6P(3P)---15/20/100 0.5/0.5/6P(3P)---30/30/100 | 300/300 | | | | |