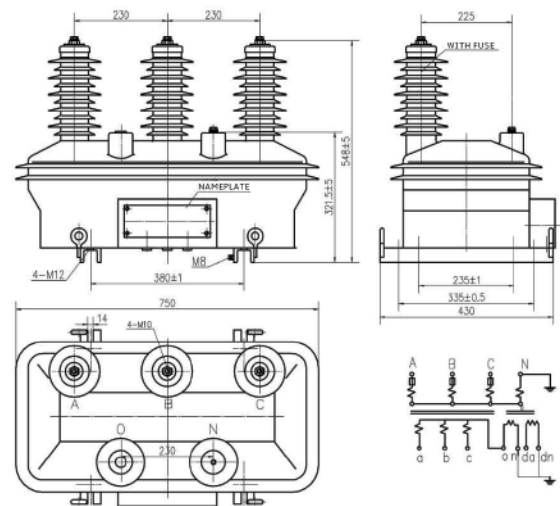
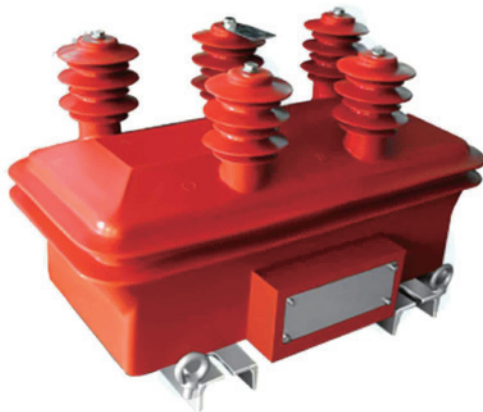


JSZW-3,6,10WF

Five leg type outdoor three phase voltage transformer

The type JSZW-10WF Outdoor three phase voltage transformer is single phase and epoxy resin silicon rubber insulated product, it's used for metering electric energy, voltage control and relay protection in 50/60HZ rated voltage 10kV electric system; and also it can be used for medial voltage AIS, or can be used for medial voltage switchgears. They can operate in all kinds of environments (such as wide range temperature (-50~70°C), high altitude, high humidity, high pollution or salt).



Parameters

Technical parameters	
Standards	IEC60044-2; IEC 61869-1,3; ANSI/IEEE C57.13
Rated Voltage	10KV, 6KV
Rated load	≤3×600VA
Secondary voltage output	100V, 110V, 120V, 220V
Rated frequency	50Hz or 60Hz
Cosφ	0.8 (lag)
Phase number	Three phase
Class	0.2, 0.5, 1, 3
Rated insulation level	12/42/75KV, 7.2/32/60KV
With fuse	Yes, 0.5A
Using type	Outdoor
Class of pollution	IV

Mechanical parameters	
Material	Epoxy resin
Weight (kg)	158
Operating conditions	
Operating temperature	-40°C to +60°C
Daily average temp	<+40°C
Storage temperature	-50°C to +70°C
Altitude	<1000 meters
Condition	No existence of severely begrimed, erosive and radioactive gas in the air. Permission of long-term operation under rated current.

Selection guide

Model	Rated voltage ratio(V)	Accuracy class and Accuracy class combination rated secondary output(VA)	Limited output (VA)	Rated insulation level(KV)	Surface creepage distance (mm)	Once fuse (A)	Wt (KG)
JSZW-3WF	$\frac{3000}{\sqrt{3}} \frac{100}{\sqrt{3}} /100$	0.2/6P(3P)---3×30/100 0.5/6P(3P)---3×60/100 1/6P(3P)---3×100/100 3/6P(3P)---3×200/100	3×600	3.6/23/40	570	0.5	155
JSZW-6WF	$\frac{6000}{\sqrt{3}} \frac{100}{\sqrt{3}} /100$			7.2/32/60			
JSZW-10WF	$\frac{10000}{\sqrt{3}} \frac{100}{\sqrt{3}} /100$			12/42/75			
JSZW-6WF	$\frac{6000}{\sqrt{3}} \frac{100}{\sqrt{3}} \frac{100}{\sqrt{3}} /100$	0.2/0.2/6P(3P)--- 3×15/3×15/100	$\frac{3 \times 200}{3 \times 200}$	7.2/32/60		0.5	
JSZW-10WF	$\frac{10000}{\sqrt{3}} \frac{100}{\sqrt{3}} \frac{100}{\sqrt{3}} /100$	0.2/0.5/6P(3P)--- 3×15/3×15/100	$\frac{3 \times 200}{3 \times 200}$	12/42/75		0.5	