

LZCG930-10

Cheap Low Voltage Cast Resin Ring Core Current Transformer

The Model LZCG930-10 CT is a ring type resin casting current transformer. Some clients also called it as TTCC. This current transformer can be used both for measurement and microcomputer protection of electrical equipment in 11KV and 35KV AC power system, It is widely used in not only compact fully insulated ring network switchgears such as ABB-Safe Ring/Safe Plus, Unstitch, Schneider RM6, SM6, Siemens 8DJ10/8DH10, Simosec, FBX, Fluokit, Omar Garbo GA, GAE; SEL TPS(Q); VEI Unifluorc; Eaton SVS/12 ring network, but also cable distribution boxes because of its small size, light weight, operable and convenient installation. It is very convenient that the transformer can be directly installed at the inlet and outlet cables.

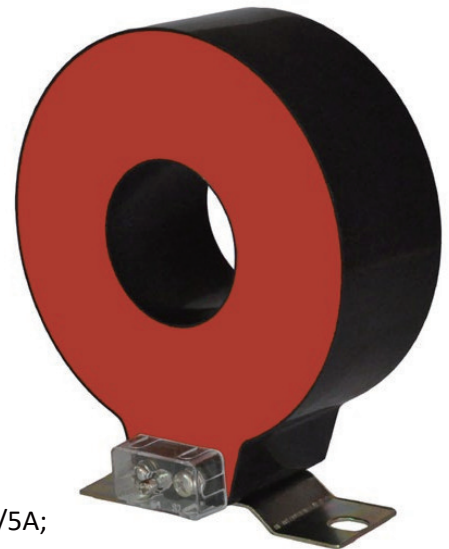
New magnetic material is taken to be the core of the current transformer, which has high magnetic permeability, low saturation magnetization and good stability. Therefore, the measuring accuracy is higher and the instrument security factor is lower. Since the high quality silicon processed by advanced technology is taken to be the core of the protection windings, which assured the accuracy limit factor is higher.

We used imported silicon material and using our mature advanced producing technology we make sure our transformer has very good linear and more than 20 years using life in order to be qualified with all the jobs. The ring core and secondary windings are vacuum poured by high quality polyurethane insulated resin, which has the characteristic of moisture proof, stable performance and dispensing with maintenance.

All of our ring core current transformers are strictly comply IEC60044-1, IEC 61869-2, NTC 2205, GB1208-2006, GB20840.2-2013, ANSI/IEEE C57.13.

Features

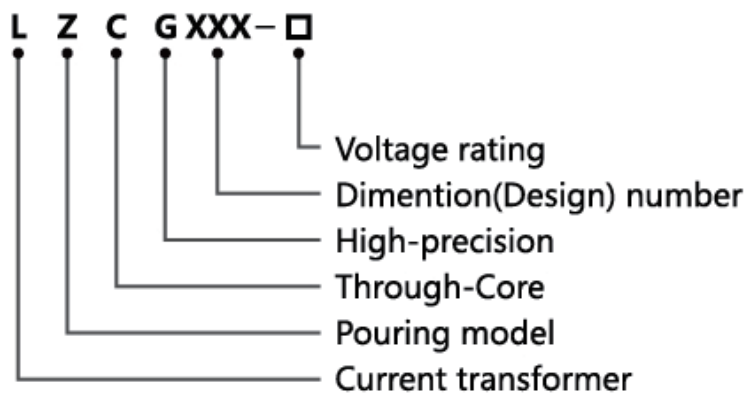
1. Size: $\phi 60 \times \phi 155 \times 60$;
2. Support Dual Ratio;
3. Polyurethane resin casting;
4. Using life more than 20 years;
5. Holding wire diameter: $\phi 60 \text{mm}$;
6. Measurement range 0-1000A AC;
7. High precision 0.2s, 0.2%, 0.5s, 0.5%;
8. Easily installation, with mounting bracket ;
9. Protection class 5P20, 5P10, 10P15, 10P10, 10P5;
10. The protection level CT can accept customized design;
11. High quality polyurethane resin cast current transformer;
12. Secondary windings are vacuum poured by insulated resin;
13. 100/5A, 200/5A, 300/5A, 400/5A, 500/5A, 600/5A, 750/5A, 800/5A, 1000/5A;
14. IEC60044-1, IEC61869-2, , NTC 2205, GB1208-2006, GB20840.2, ANSI/IEEE C57.13;



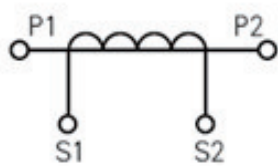
Applications

- | | |
|----------------------------------|--|
| 1. Meter tester; | 2. Power Meter; |
| 3. Energy meter; | 4. MV switchgears; |
| 5. Air switch cabinet; | 6. Distribution boxes; |
| 7. Power Quality meter; | 8. Ring network cabinet; |
| 9. Measuring instrument; | 10. Current load monitoring; |
| 11. Low voltage metering system; | 12. Distribution Power transformer monitor system; |

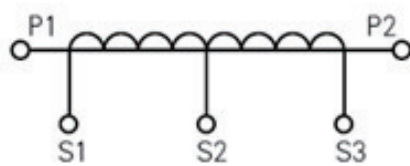
Model Meaning



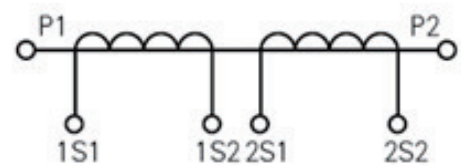
Wiring Diagrams



Single winding



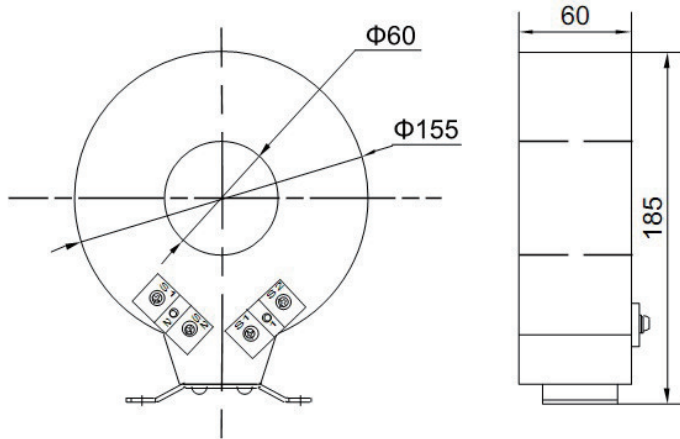
Secondary winding with tap



Double winding

P1, P2 is primary polarity terminal, S1, S2 is secondary polarity terminal.
 P2, S2 is homonymous terminals (subtractive polarity).

Outline Drawing



Parameters

Technical parameters

Standards	IEC60044-1; IEC 61869-2; NTC 2205; ANSI/IEEE C57.13; GB1206-2006;
Accuracy Class	0.2S, 0.2, 0.5S, 0.5 (IEC61869-2 standard)
Rated primary current	30-1000A
Rated load	≤30VA
Rated frequency	50Hz or 60Hz
Rated secondary current	5A or 1A
Ratio	100/5A, 150/5A, 200/5A, 300/5A, 400/5A, 500/5A...1000/5A
Rated short-time thermal current	40kA, 1S
Rated continuous thermal current	120%I _n
Secondary winding power-frequency voltage	3kV, 1min
Instrument security factor	FS ≤10
Insulation Class	A
Material	polyurethane +Silicon steel sheets+Enameled wire+ABS

Mechanical parameters

Dimensions (W×D×H) (mm)	φ60xφ155x60
Jaw cable diameter(mm)	60
Weight (kg)	3.6

Operating conditions

Operating temperature	-40°C to +70°C
Daily average temp	<+40°C
Storage temperature	-40°C to +70°C
Altitude	<3500 meters
Condition	No existence of severely begrimed, erosive and radioactive gas in the air. Permission of long-term operation under rated current.

Technical Data

Type	LZCG930-10			
Purpose	Measuring current transformer			
Rated primary current (AMP)	Accuracy class and rated load(VA)			
	0.2S	0.2	0.5S	0.5
50	2.5	2.5	5	5
100	2.5	5	7.5	7.5
150	5	7.5	10	10
200	7.5	10	15	15
300	10	15	15	15
400	15	15	15	15
500	20	20	20	20
600	20	20	20	20
750	20	20	20	20
800	20	20	20	20
1000	20	20	20	20
Purpose	Protection current transformer			
Rated primary current (AMP)	Accuracy class and rated load(VA)			
	5P20	5P10	10P15	10P10
30	1	1	1	1
40	1	1	1	1
50	2	2	2	2
75	2	2	2	2
100	2.5	2.5	2.5	2.5
150	2.5	2.5	2.5	2.5
200	5	5	5	5
300	5	5	5	5
400	7.5	7.5	7.5	7.5
500	7.5	10	10	10
600	7.5	10	15	15
Purpose	Double winding current transformer			
Rated primary current (AMP)	Composite accuracy class and rated load(VA)			
	0.2S	0.5	10P15	10P10
100	2.5	2.5	1	1
150	2.5	3.75	2	2.5
200	5	7.5	2.5	3.75
300	7.5	10	2.5	5
400	10	12.5	3.75	5
500	15	15	3.75	5
600	15	20	3.75	7.5

Selection Guide

Model	Primary rated current	Rated load	Aperture (mm)	Description (mm)	Weight (kg)
LZCK310-10	300-1000A	≤10VA	φ50	φ50 x φ110 x 32	1
LZCK322-10	30-1000A	≤10VA	φ50	φ50 x φ110 x 52	1.6
LZCK350-10	30-1000A	≤25VA	φ50	φ50 x φ110 x 105	3.1
LZCK720-10	30-1000A	≤25VA	φ80	φ80 x φ110 x 50	2.1
LZCK2500-10	30-3000A	≤30VA	φ120, 140, 160	φ120 x φ185 x 100	7
LZCG530-10	30-1000A	≤20VA	φ45	φ45 x φ120 x 65	2.1
LZCG930-10	30-1500A	≤25VA	φ60	φ60 x φ155 x 60	3.6
LZCT722-10	30-1500A	≤10VA	φ82	φ82 x φ130 x 55	2.3
LZCG2500-10	30-3000A	≤30VA	φ120, 140, 160	φ120 x φ185 x 100	7

Ordering Information

Be sure to the type, current ratio, accuracy class, rated load and use of the products when you plan to make a order. Special specifications could be customized. All kinds of different specifications and parameters current transformers can be made according to your needs.