

LZCK310-10

400/5a Cheap Split Core Cast Resin Current Transformer

The Model LZCK310-10 is a window type resin casting split core current transformer. Some clients also called it as TTCC. This model can be used both for measurement and microcomputer protection of electrical equipment in 11KV and 35KV AC power system such as such as ABB-Safe Ring/Safe Plus...and cable distribution boxes.

We used imported silicon material and using our mature advanced producing technology we make sure our transformer has very good linear and more than 20 years using life in order to be qualified with all the jobs. These semicircular ring core and secondary windings are vacuum poured by insulated resin. Ratio from 300/5A to 1000/5A can be customized for user system.

All of our current transformers are strictly comply IEC60044-1, IEC 61869-2, NTC 2205, GB1208-2006, ANSI/IEEE C57.13.

Features

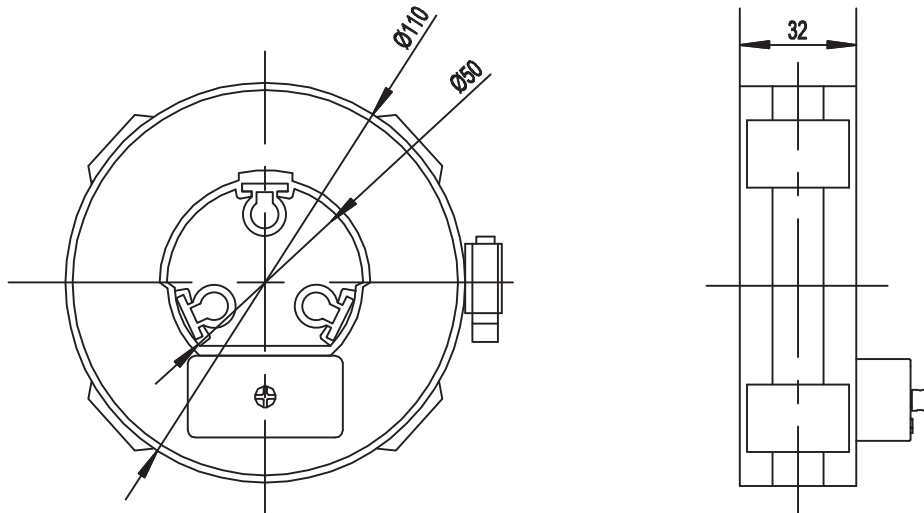
1. Easily installation;
2. Size: $\phi 50 \times \phi 110 \times 32$;
3. High precision 0.5%;
4. Economic type design;
5. Using life more than 20 years;
6. Holding wire diameter: $\phi 50 \text{mm}$;
7. Measurement range 0-1000A AC;
8. High quality silicon steel material;
9. Secondary windings are vacuum poured by insulated resin
10. 300/5A, 400/5A, 500/5A, 600/5A, 750/5A, 800/5A, 1000/5A;
11. 300/1A, 400/1A, 500/1A, 600/1A, 750/1A, 800/1A, 1000/1A;
12. IEC60044-1, IEC 61869-2, NTC 2205, GB1208-2006, ANSI/IEEE C57.13;



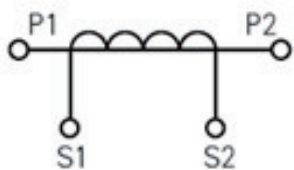
Applications

1. Energy meter;
2. Power Meter;
3. Load analysis;
4. MV switchgears;
5. Distribution boxes;
6. Power Quality Analyzer;
7. Low voltage metering system;
8. Distribution Power transformer monitor system;

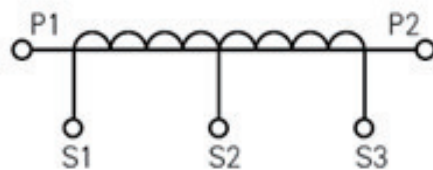
Outline Drawing



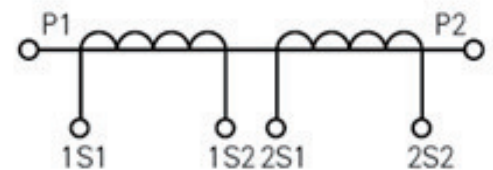
Wiring Diagrams



Single winding



Secondary winding with tap



Double winding

P1, P2 is primary polarity terminal, S1, S2 is secondary polarity terminal.

P2, S2 is homonymous terminals (subtractive polarity).

Selection Guide

| Model | Primary rated current | Rated load | Aperture (mm) | Description (mm) | Weight (kg) |
|-------------|-----------------------|------------|----------------|-------------------|-------------|
| LZCK310-10 | 300-1000A | ≤10VA | φ50 | φ50 x φ110 x 32 | 1 |
| LZCK322-10 | 30-1000A | ≤10VA | φ50 | φ50 x φ110 x 52 | 1.6 |
| LZCK350-10 | 30-1000A | ≤25VA | φ50 | φ50 x φ110 x 105 | 3.1 |
| LZCK720-10 | 30-1000A | ≤25VA | φ80 | φ80 x φ110 x 50 | 2.1 |
| LZCK2500-10 | 30-3000A | ≤30VA | φ120, 140, 160 | φ120 x φ185 x 100 | 7 |
| LZCG530-10 | 30-1000A | ≤20VA | φ45 | φ45 x φ120 x 65 | 2.1 |
| LZCG930-10 | 30-1500A | ≤25VA | φ60 | φ60 x φ155 x 60 | 3.6 |
| LZCT722-10 | 30-1500A | ≤10VA | φ82 | φ82 x φ130 x 55 | 2.3 |
| LZCG2500-10 | 30-3000A | ≤30VA | φ120, 140, 160 | φ120 x φ185 x 100 | 7 |

Parameters

| Technical parameters | |
|---|---|
| Standards | IEC60044-1; IEC 61869-2; NTC 2205; ANSI C57.13; GB1208-2 |
| Class | 0.5, 1, 3 |
| Rated primary current | 300-1000A |
| Rated secondary current | 5A or 1A |
| Rated load | ≤10VA |
| Rated frequency | 50Hz or 60Hz |
| Rated short-time thermal current | 40kA, 1S |
| Rated continuous thermal current | 120%I _n |
| Secondary winding power-frequency voltage | 3kV, 1min |
| Instrument security factor | FS≤10 |
| Insulation Class | A |
| Material | polyurethane +Silicon steel sheets+Enameled wire+ABS |
| Mechanical parameters | |
| Dimensions (W×D×H) (mm) | φ50xφ110x32 |
| Jaw cable diameter(mm) | 45 |
| Weight (kg) | 1 |
| Operating conditions | |
| Operating temperature | -40°C to +70°C |
| Daily average temp | <+40°C |
| Storage temperature | -40°C to +70°C |
| Altitude | <3500 meters |
| Condition | No existence of severely begrimed, erosive and radioactive gas in the air. Permission of long-term operation under rated current. |

Technical Data

| Type | LZCK310-10 | | |
|-----------|-----------------------------------|-----|-----|
| Purpose | Measuring current transformer | | |
| Ratio | Accuracy class and rated load(VA) | | |
| I_1/I_2 | 0.5 | 1 | 3 |
| 300/1 | 2.5 | 2.5 | 5 |
| 400/1 | 2.5 | 5 | 7.5 |
| 500/1 | 5 | 5 | 7.5 |
| 600/1 | 5 | 7.5 | 10 |
| 750/1 | 10 | 10 | 10 |
| 800/1 | 10 | 10 | 15 |
| 1000/1 | 10 | 10 | 15 |
| 300/5 | 2.5 | 5 | 7.5 |
| 400/5 | 5 | 5 | 7.5 |
| 500/5 | 5 | 7.5 | 10 |
| 600/5 | 5 | 7.5 | 10 |
| 750/5 | 10 | 10 | 15 |
| 800/5 | 10 | 10 | 15 |
| 1000/5 | 10 | 10 | 15 |